

BASIC DIAGRAMS FOR 1+1 WIRE ELECTRONIC DOOR PHONE SYSTEMS

index on page 17

Download from:
www.urmetdomus.com
Technical Manuals area



CONNECTION OF SEVERAL DOOR PHONES TO 1 OUTDOOR STATION WITH SECRECY OF CONVERSATION (Panels Mod. Sinthesi or K-Steel)

urmet
DOMUS

FUNCTION

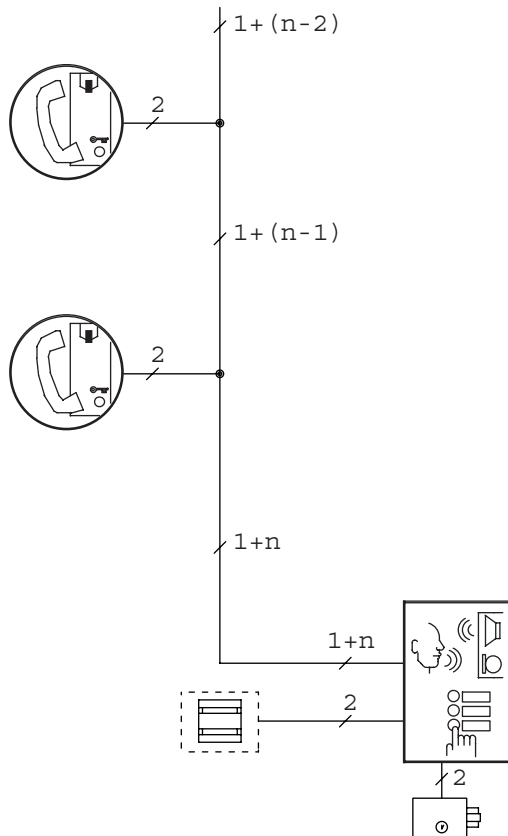
1+1 wire system allows to obtain the service of a standard outdoor set installation with conversation, call, electric lock opening, with only 2 wires in the rising column: 1 common + 1 single for each door phone. The outdoor set is fed, with two wires only, by a 12V a.c. voltage transformer.

To assure secrecy to all the door phones, special devices for secrecy of conversation are inserted into the push button panel (one for each key).

So, all the door phones will be cut off from any conversation (nothing can be heard when picking up the handset); only the called door phone can start a conversation with the caller, no other being able to intercept the call.

The called house is qualified to talk until another call is made from the push button panel to other door phone.

The electric lock opening depends from the circuit of secrecy of conversation (the lock cannot be operated unless the door phone has been called).



EQUIPMENT

The following devices are needed for the system illustrated in diagram SC101-1135F:

DOOR PHONE REFERENCES

N. X	Door phones Mod. Utopia	Ref. 1134/35
	or	
N. X	Door phones Mod. Atlantico	Ref. 1133/35A



POWER SUPPLY REFERENCES

N. 1	Transformer	Ref. 9000/230
------	-------------	----------------------

OUTDOOR STATION REFERENCES

Sinthesi model

N. X	Button modules	Ref. 1145/11-/12-/13-/14
N. 1	Module with door unit set-up	Ref. 1145/20-/21
N. 1	Amplified door unit	Ref. 1145/67
N. X/4	Conversation privacy device	Ref. 1145/74



The panels must be installed in flush-mounting boxes with module holder frames or in cases with hood for wall-mounted versions. Refer to "Sinthesi panel" section of Doorphone and Videodoorphone system - product technical manual.

or

K-Steel model

N. X	Button modules	Ref. 1155/11-/12A-/13A-/14A
N. 1	Module with door unit	Ref. 1155/30-/31-/32A
N. X/4	Conversation privacy device	Ref. 1145/74

The panels must be installed in flush-mounting boxes with module holder frames or in cases with hood for wall-mounted versions. Refer to "K-Steel modular vandal-proof panel" section of Doorphone and Videodoorphone system - product technical manual.

DIAGRAM NOTES

(see section 1)

C1.002

C4.006

Sinthesi models only:
Connect jumper C1 with U1.

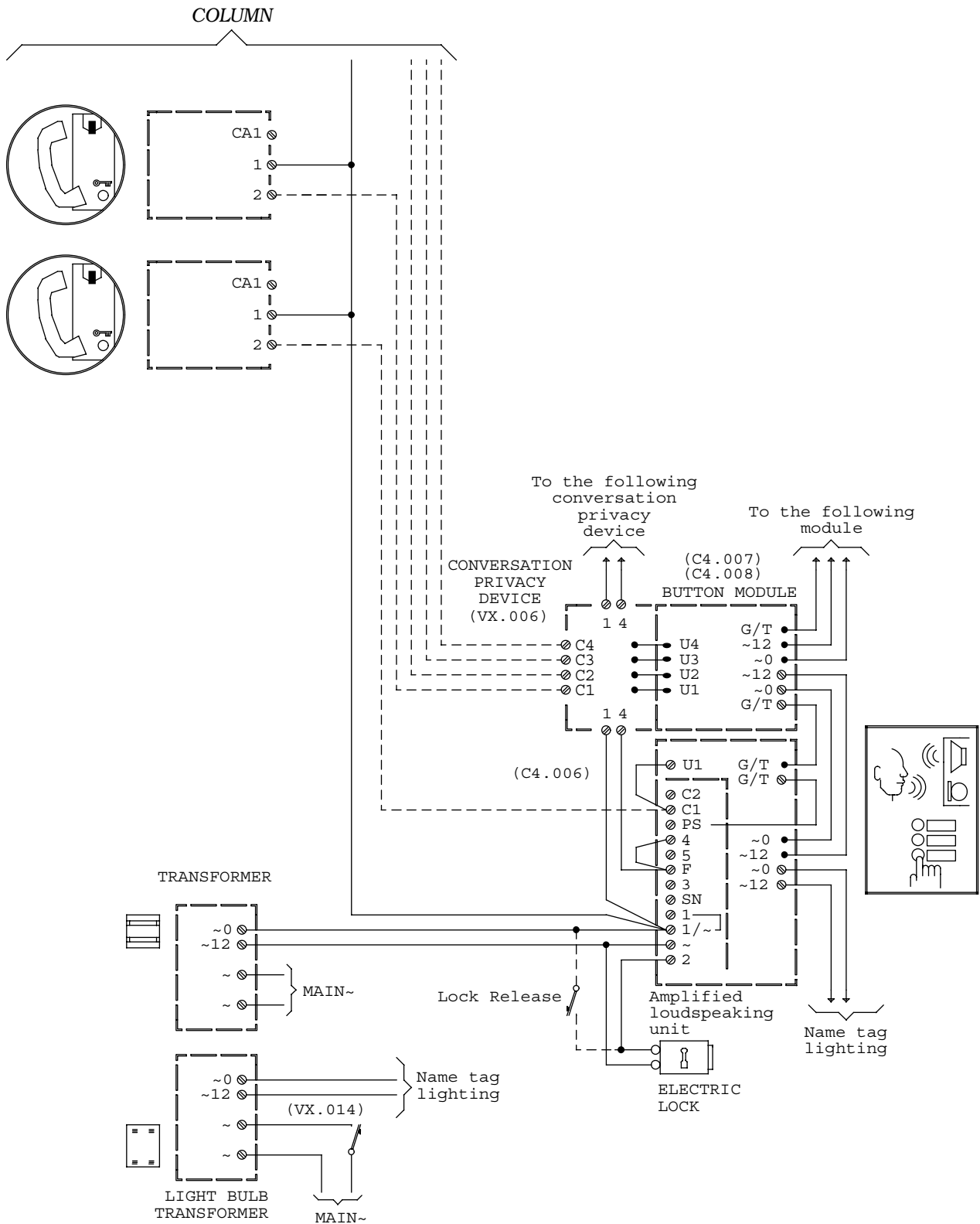
C4.007

C4.008

VX.006

VX.014

SC101-1135F





CONNECTION OF SEVERAL DOOR PHONES TO 1 OUTDOOR STATION WITH SECRECY OF CONVERSATION (Panels Mod. 725 or Mod. Domus Aura)

urmet
DOMUS

FUNCTION

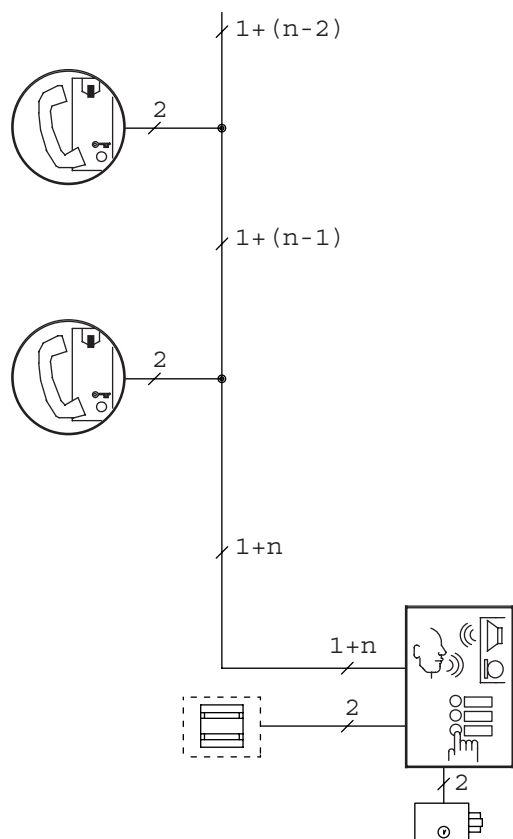
1+1 wire system allows to obtain the service of a standard outdoor set installation with conversation, call, electric lock opening, with only 2 wires in the rising column: 1 common + 1 single for each door phone. The outdoor set is fed, with two wires only, by a 12V a.c. voltage transformer.

To assure secrecy to all the door phones, special devices for secrecy of conversation are inserted into the push button panel (one for each key).

So, all the door phones will be cut off from any conversation (nothing can be heard when picking up the handset); only the called door phone can start a conversation with the caller, no other being able to intercept the call.

The called house is qualified to talk until another call is made from the push button panel to other door phone.

The electric lock opening depends from the circuit of secrecy of conversation (the lock cannot be operated unless the door phone has been called).



EQUIPMENT

The following devices are needed for the system illustrated in diagram SC101-0932C:

DOOR PHONE REFERENCES

- | | | |
|------|--------------------------------------|---------------|
| N. X | Door phones Mod. Utopia
<i>or</i> | Ref. 1134/35 |
| N. X | Door phones Mod. Atlantico | Ref. 1133/35A |

POWER SUPPLY REFERENCES

- | | | |
|------|-------------|---------------|
| N. 1 | Transformer | Ref. 9000/230 |
|------|-------------|---------------|

OUTDOOR STATION REFERENCES

725 model

- | | | |
|--------|-----------------------------|--------------|
| N. 1 | Panel with N buttons | Mod. 725 |
| N. 1 | Amplified door unit | Ref. 1035/67 |
| N. X/4 | Conversation privacy device | Ref. 1035/25 |

For the panels references and the accessories refer to "Panels with anodized Aluminium front plate Mod. 725" section of Doorphone and Videodoorphone system - product technical manual.

or

Domus Aura model

- | | | |
|--------|-----------------------------|--------------|
| N. 1 | Panel with N buttons | Mod. 1110 |
| N. 1 | Amplified door unit | Ref. 1035/67 |
| N. X/4 | Conversation privacy device | Ref. 1110/74 |

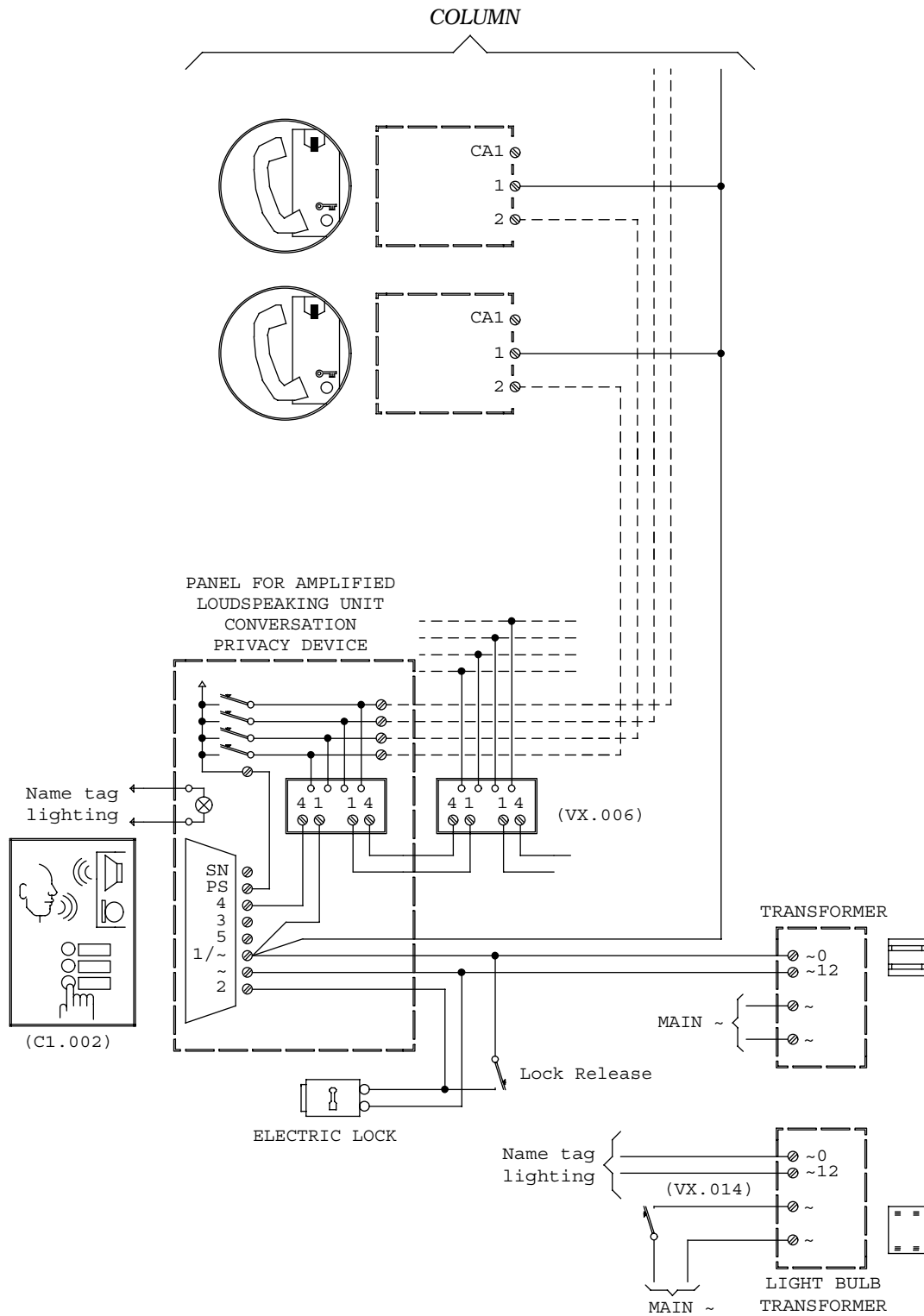
For the panels references and the accessories refer to "Panels Domus Aura" section of Doorphone and Videodoorphone system - product technical manual.

DIAGRAM NOTES

(see section 1)

C1.002
VX.006
VX.014

SC101-0932C





CONNECTION OF SEVERAL DOOR PHONES TO 2 OUTDOOR STATIONS WITH SECRECY OF CONVERSATION (Panels Mod. Sinthesi or K-Steel)

urmet
DOMUS

FUNCTION

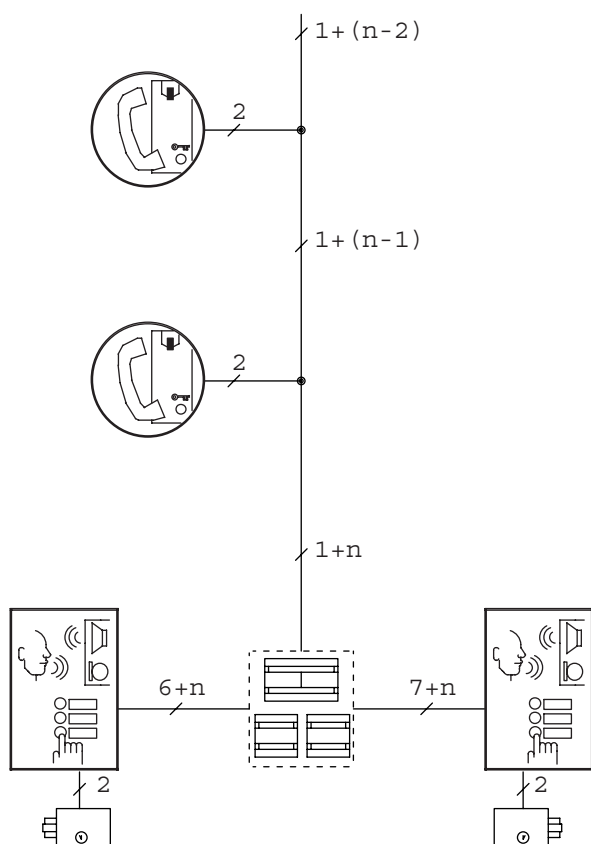
The 1+1 wire door phone system makes it possible to set up systems in which a door phone riser is to be connected to two entrances each with 1 push button panel with related loudspeaking unit.

Adding a specific relay device, a person can press a key of one of the two push button panels so that the user of the door phone called, on lifting the handset, is automatically connected with the calling push button panel excluding the other service.

Therefore in this system, it is not possible to speak from two outdoor stations at the same time in that functioning of these is alternative.

to guarantee secrecy of conversation of all the door phones in the system, the specific secrecy circuits (one for each button) are inserted inside only one of the two push button panels.

Release of the electric lock is also enabled by the secrecy circuit. This means that a user cannot release the lock unless he/she has been called and can open only the lock corresponding to the push button panel from which the call has been made.



EQUIPMENT

The following devices are needed for the system illustrated in diagram SC101-1210B:

DOOR PHONE REFERENCES

N. X	Door phones Mod. Utopia or	Ref. 1134/35
N. X	Door phones Mod. Atlantico	Ref. 1133/35A



POWER SUPPLY REFERENCES

N. 2	Transformer	Ref. 9000/230
N. 1	Relay box	Ref. 788/51

OUTDOOR STATION REFERENCES

Sinthesi model

N. X	Button modules	Ref. 1145/11-/12-/13-/14
N. 2	Module with door unit set-up	Ref. 1145/20-/21
N. 2	Amplified door unit	Ref. 1145/67
N. X/4	Conversation privacy device	Ref. 1145/74



The panels must be installed in flush-mounting boxes with module holder frames or in cases with hood for wall-mounted versions. Refer to "Sinthesi panel" section of Doorphone and Videodoorphone system - product technical manual.

or

K-Steel model

N. X	Button modules	Ref. 1155/11-/12A-/13A-/14A
N. 2	Module with door unit	Ref. 1155/30-/31-/32A
N. X/4	Conversation privacy device	Ref. 1145/74

The panels must be installed in flush-mounting boxes with module holder frames or in cases with hood for wall-mounted versions. Refer to "K-Steel modular vandal-proof panel" section of Doorphone and Videodoorphone system - product technical manual.

DIAGRAM NOTES

(see section 1)

C1.002

C4.006

Sinthesi models only:
Connect jumper C1 with U1.

C4.007

C4.008

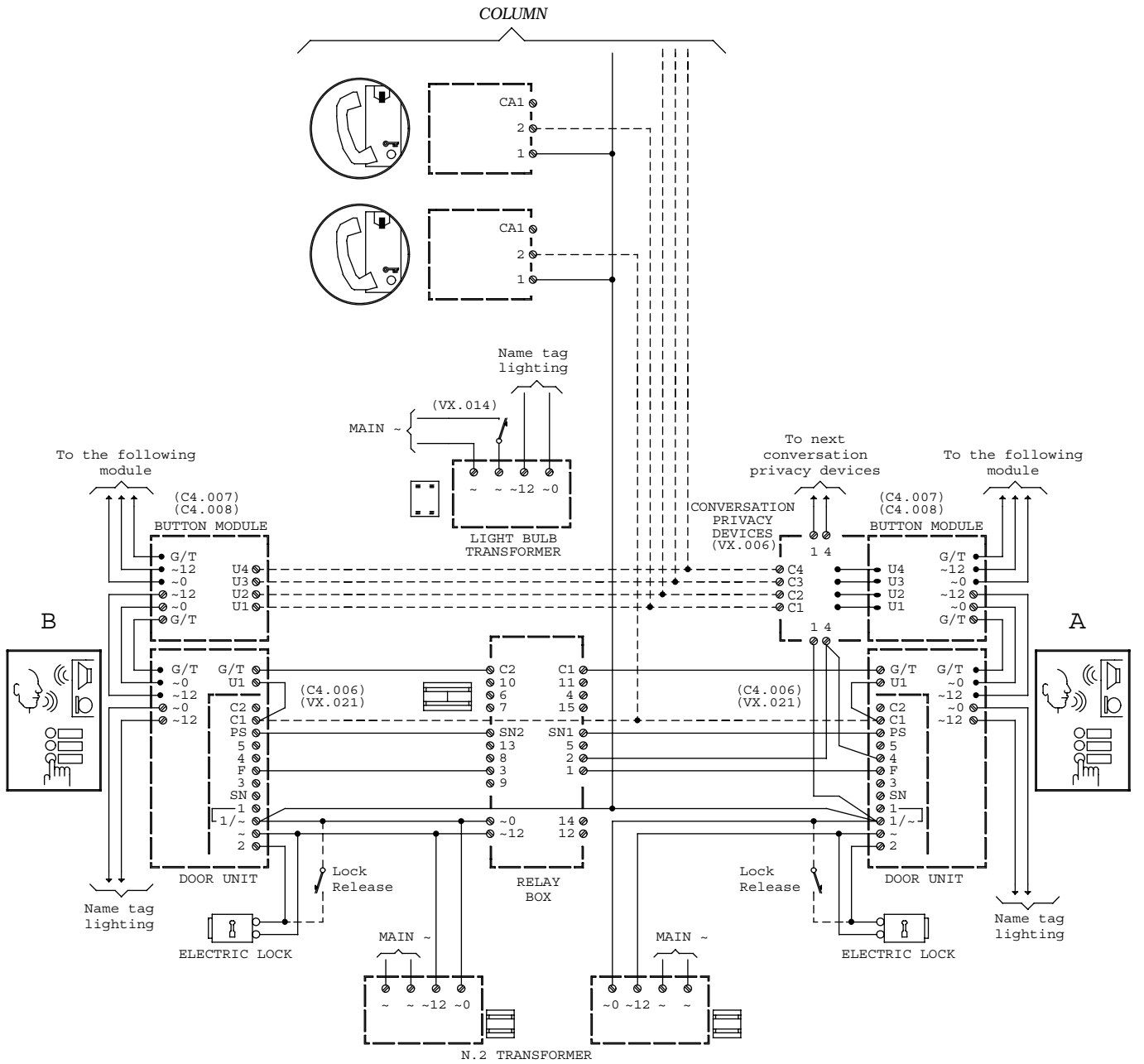
VX.006

VX.014

VX.021

Cut or remove the jumpers on the device(s):

- a) PS - G/T
- b) 4 - F





CONNECTION OF SEVERAL DOOR PHONES TO TWO OUTDOOR STATIONS WITH SECRECY OF CONVERSATION (Panels Mod. 725 or Mod. Domus Aura)

urmet
DOMUS

FUNCTION

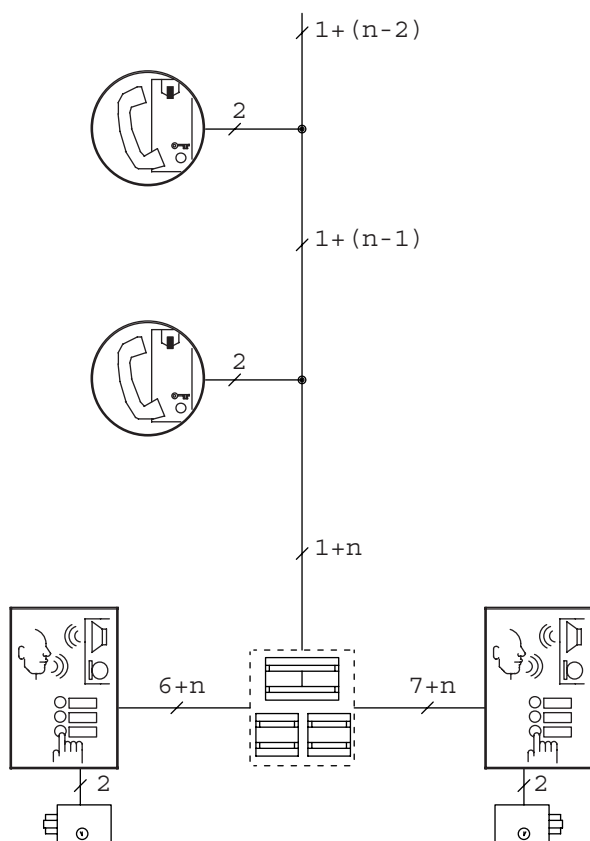
The 1+1 wire door phone system makes it possible to set up systems in which a door phone riser is to be connected to two entrances each with 1 push button panel with related loudspeaking unit.

Adding a specific relay device, a person can press a key of one of the two push button panels so that the user of the door phone called, on lifting the handset, is automatically connected with the calling push button panel excluding the other service.

Therefore in this system, it is not possible to speak from two outdoor stations at the same time in that functioning of these is alternative.

to guarantee secrecy of conversation of all the door phones in the system, the specific secrecy circuits (one for each button) are inserted inside only one of the two push button panels.


Release of the electric lock is also enabled by the secrecy circuit. This means that a user cannot release the lock unless he/she has been called and can open only the lock corresponding to the push button panel from which the call has been made.



EQUIPMENT

The following devices are needed for the system illustrated in diagram SC101-0937B:

DOOR PHONE REFERENCES

- | | | | |
|------|-------------------------------|---|----------------------|
| N. X | Door phones Mod. Utopia
or |  | Ref. 1134/35 |
| N. X | Door phones Mod. Atlantico | | Ref. 1133/35A |

POWER SUPPLY REFERENCES

- | | | |
|------|-------------|----------------------|
| N. X | Transformer | Ref. 9000/230 |
| N. 1 | Relay box | Ref. 788/51 |

OUTDOOR STATION REFERENCES

725 model

- | | | |
|--------|-----------------------------|---------------------|
| N. 2 | Panels with N buttons | Mod. 725 |
| N. 2 | Amplified door unit | Ref. 1035/67 |
| N. X/4 | Conversation privacy device | Ref. 1035/25 |

The panels must be installed in flush-mounting boxes with module holder frames or in cases with hood for wall-mounted versions. Refer to "Panels with anodized aluminium front plate Mod. 725" section of Doorphone and Videodoorphone system - product technical manual.

or

Domus Aura model

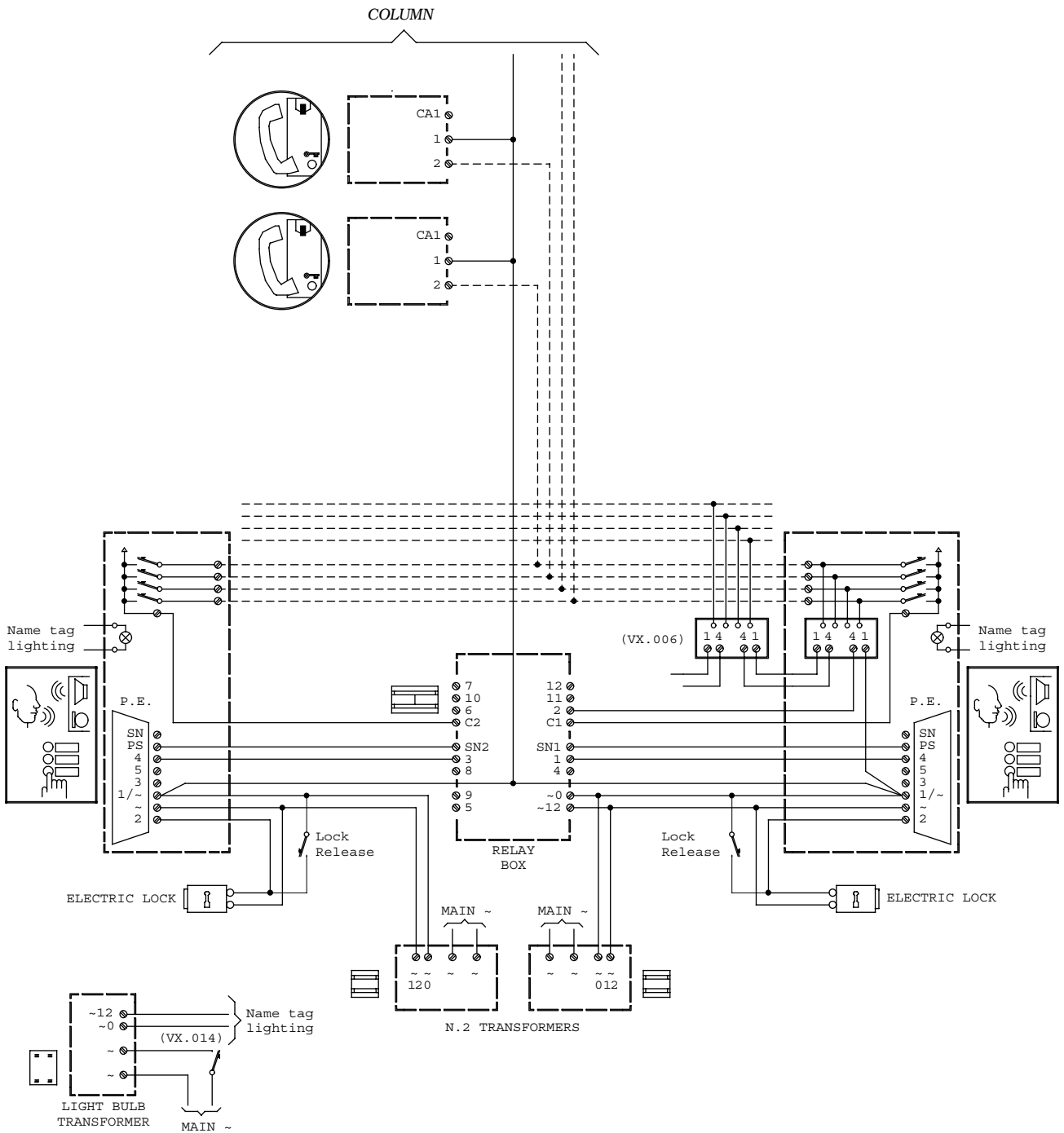
- | | | |
|--------|-----------------------------|---------------------|
| N. 2 | Panels with N buttons | Mod. 1110 |
| N. 2 | Amplified door unit | Ref. 1035/67 |
| N. X/4 | Conversation privacy device | Ref. 1110/74 |

For the panels references and the accessories refer to "Panels Domus Aura" section of Doorphone and Videodoorphone system - product technical manual.

DIAGRAM NOTES

(see section 1)

C1.002
VX.006
VX.014





CONNECTION OF SEVERAL DOOR PHONES TO FOUR OUTDOOR STATIONS WITH SECRECY OF CONVERSATION (Panels Mod. Sinthesi or K-Steel)

urmet
DOMUS

FUNCTION

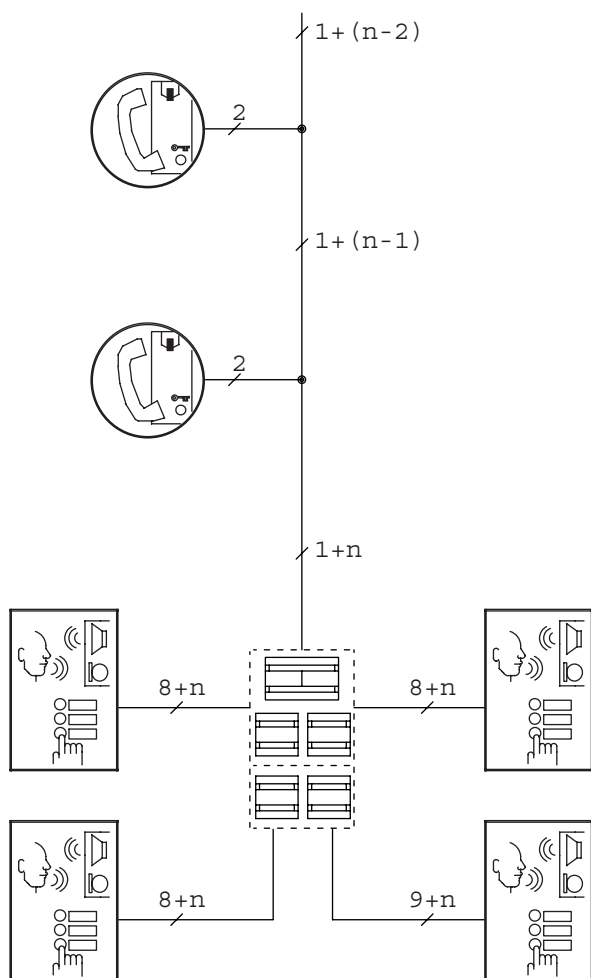
The 1+1 wire door phone system makes it possible to set up systems in which a door phone riser is to be connected to four entrances each with 1 push button panel with related loudspeaking unit.

Adding a specific relay device, a person can press a key of one of the two push button panels so that the user of the door phone called, on lifting the handset, is automatically connected with the calling push button panel excluding the other service.

Therefore in this system, it is not possible to speak from four outdoor stations at the same time in that functioning of these is alternative.

To guarantee secrecy of conversation of all the door phones in the system, the specific secrecy circuits (one for each button) are inserted inside only one of the two push button panels.


Release of the electric lock is also enabled by the secrecy circuit. This means that a user cannot release the lock unless he/she has been called and can open only the lock corresponding to the push button panel from which the call has been made.



EQUIPMENT

The following devices are needed for the system illustrated in diagram SC101-1218C:

DOOR PHONE REFERENCES

N. X	Door phones Mod. Utopia or		Ref. 1134/35
N. X	Door phones Mod. Atlantico		Ref. 1133/35A

POWER SUPPLY REFERENCES

N. 4	Transformer	Ref. 9000/230
N. 1	Relay box	Ref. 788/54

OUTDOOR STATION REFERENCES

Sinthesi model

N. X	Button modules	Ref. 1145/11-/12-/13-/14
N. 4	Module with door unit set-up	Ref. 1145/20-/21
N. 4	Amplified door unit	Ref. 1145/67
N. X/4	Conversation privacy device	Ref. 1145/74

The panels must be installed in flush-mounting boxes with module holder frames or in cases with hood for wall-mounted versions. Refer to "Sinthesi panel" section of Doorphone and Videodoorphone system - product technical manual.

or

K-Steel model

N. X	Button modules	Ref. 1155/11-/12A-/13A-/14A
N. 4	Module with door unit	Ref. 1155/30-/31-/32A
N. X/4	Conversation privacy device	Ref. 1145/74

The panels must be installed in flush-mounting boxes with module holder frames or in cases with hood for wall-mounted versions. Refer to "K-Steel modular vandal-proof panel" section of Doorphone and Videodoorphone system - product technical manual.

DIAGRAM NOTES

(see section 1)

C1.002

C4.006

Sinthesi models only:
Connect jumper C1 with U1.

C4.007

C4.008

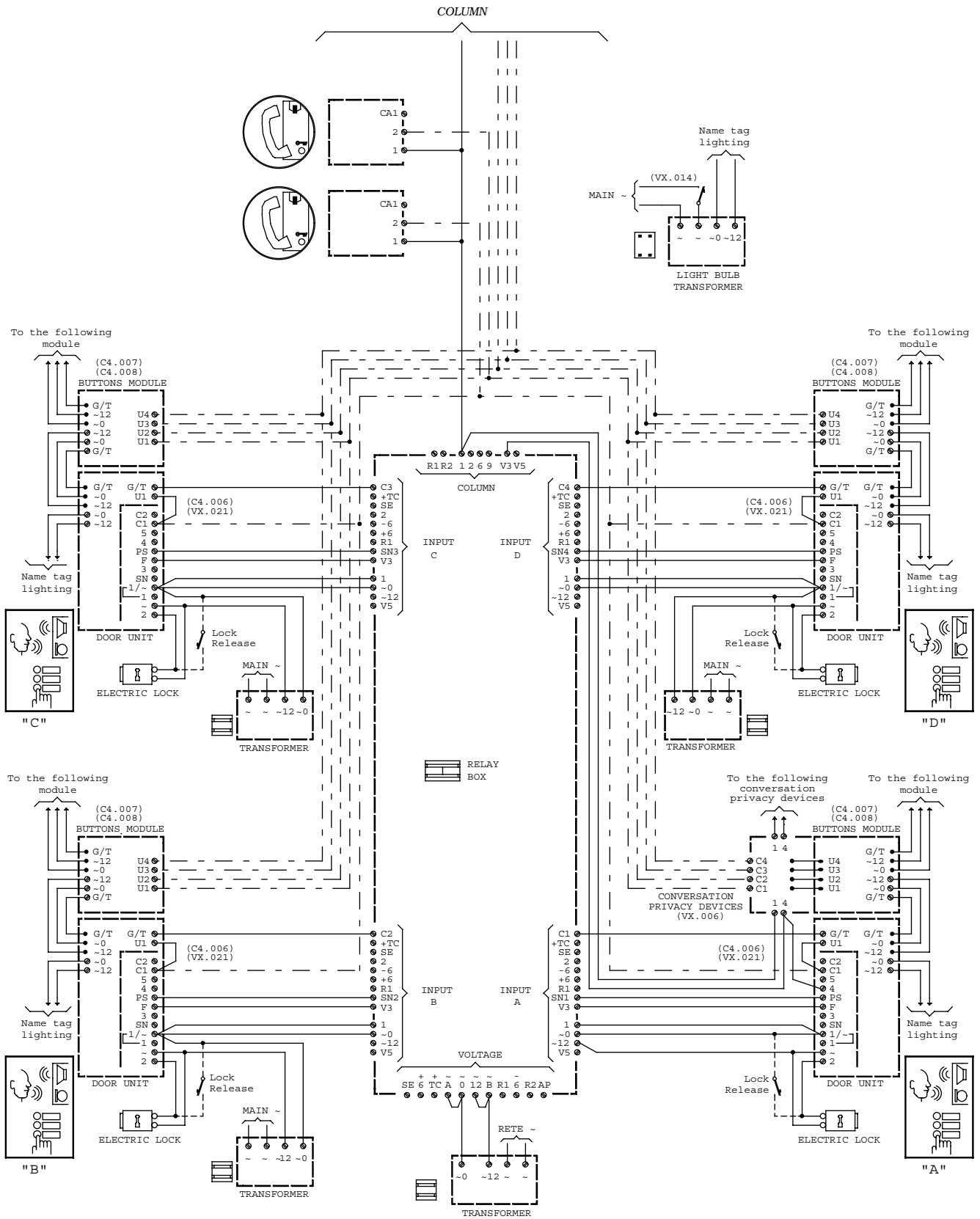
VX.006

VX.014

VX.021

Cut or remove the jumpers on the device(s):

- PS - G/T
- 4 - F





CONNECTION OF SEVERAL COLUMN OF DOOR PHONES TO COMMON OUTDOOR STATIONS

Each group in also connected to its own secondary outdoor station
(Panels Mod. Sinthesi or K-Steel)



FUNCTION

It is the ideal solution for residential centers where the single villas have to be connected to both their own outdoor stations and a common one at the main entrance.

During the call the concerned door phone is automatically switched to the common outdoor station or to the one of the group it belongs to, by means of a switching relay.

Services towards secondary outdoor stations are independent and can therefore take place at the same time.

When the call comes from the common outdoor station, only the group the called door phone belongs to is switched to it, the others being able to carry on the normal service with their own secondary outdoor stations.

To guarantee secrecy of conversation of all the door phones in the system, the specific secrecy circuits (one for each button) are inserted inside only one of the two push button panels.

Release of the electric lock is also enabled by the secrecy circuit. This means that a user cannot release the lock unless he/she has been called and can open only the lock corresponding to the push button panel from which the call has been made.

EQUIPMENT

The following devices are needed for the system illustrated in diagram SC101-1241B:

DOOR PHONE REFERENCES

- N. X Door phones Mod. Utopia Ref. 1134/35
- or
- N. X Door phones Mod. Atlantico Ref. 1133/35A



POWER SUPPLY REFERENCES

- N. K+1 Transformer Ref. 9000/230
- N. K Relay box Ref. 788/51

OUTDOOR STATION REFERENCES

Sinthesi model

- N. X Button modules Ref. 1145/11-/12-/13-/14
- N. K+1 Module with door unit set-up Ref. 1145/20-/21
- N. K+1 Amplified door unit Ref. 1145/67
- N. X/4 Conversation privacy device Ref. 1145/74



The panels must be installed in flush-mounting boxes with module holder frames or in cases with hood for wall-mounted versions. Refer to "Sinthesi panel" section of Doorphone and Videodoorphone system - product technical manual.

or

K-Steel model

- N. Y Button modules Ref. 1155/11-/12A-/13A-/14A
- N. K+1 Module with door unit Ref. 1155/30-/31-/32A
- N. X/4 Conversation privacy device Ref. 1145/74

The panels must be installed in flush-mounting boxes with module holder frames or in cases with hood for wall-mounted versions. Refer to "K-Steel modular vandal-proof panel" section of Doorphone and Videodoorphone system - product technical manual.

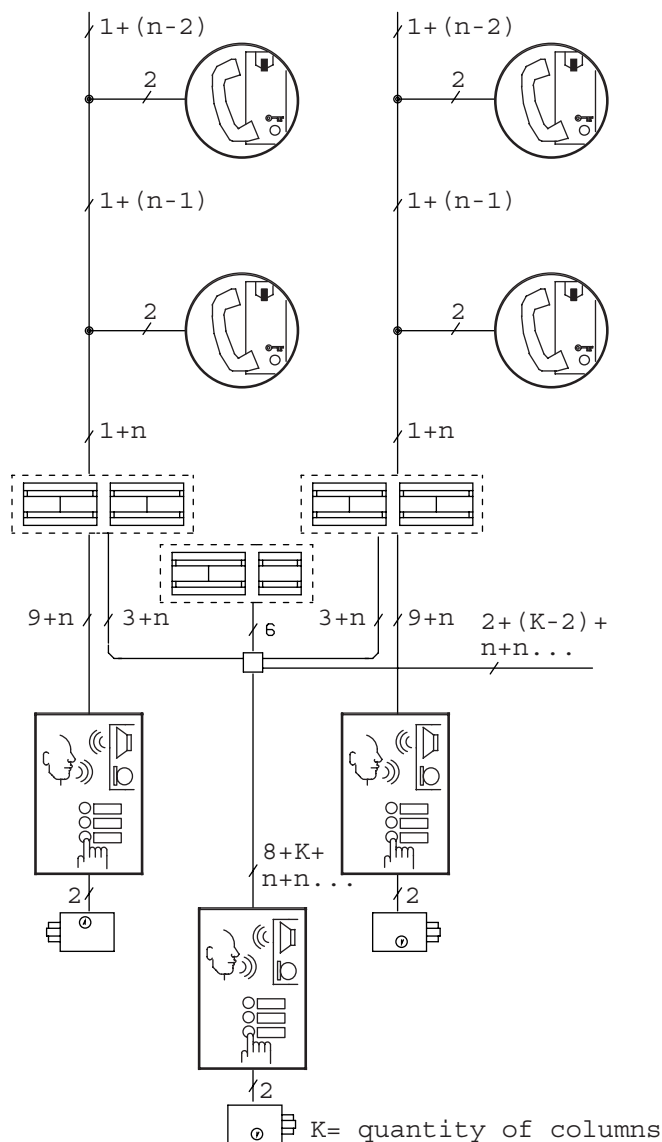
DIAGRAM NOTES

(see section 1)

- C1.002
- C4.007
- C4.008
- VX.006
- VX.014

VX.021

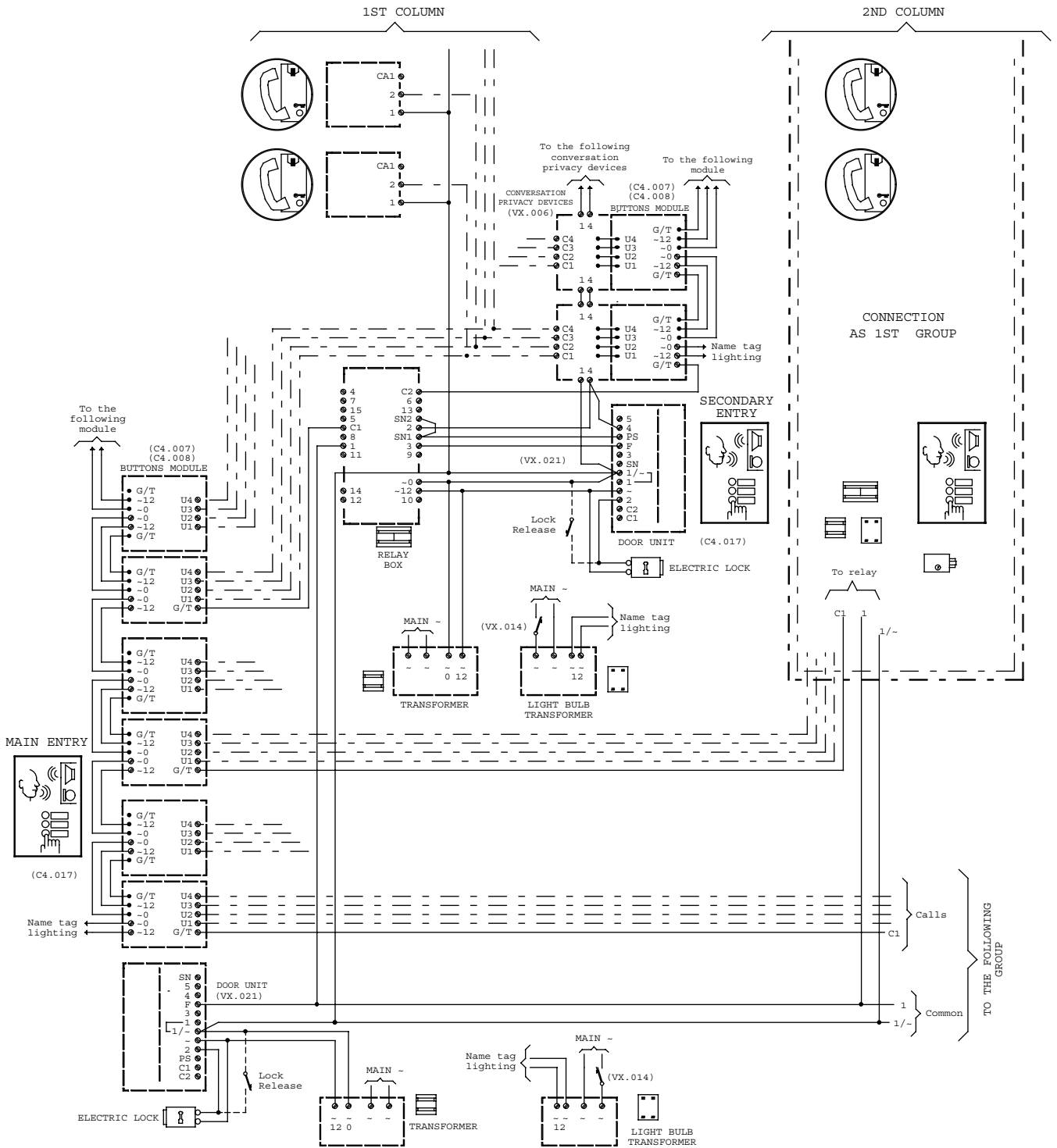
Cut or remove the jumpers on the device(s):
a) 4 - F



**CONNECTION OF SEVERAL COLUMN OF DOOR PHONES
TO COMMON OUTDOOR STATIONS**
Each group in also connected to its own secondary outdoor station
(Panels Mod. Sintesi or K-Steel)



SC101-1241B





CONNECTION OF 1 DOOR PHONES TO 1 OUTDOOR STATION

Door phone can open door during call from panel

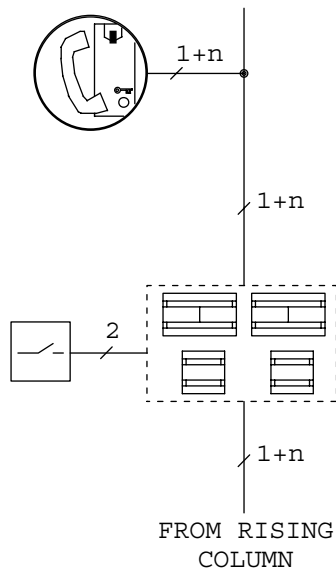
urmet
DOMUS

FUNCTION

This service is particularly required by professional offices, where a lot of people coming in and out obliges to often open the door without the use of the door phone to talk with the outside.

Diagram SC101-1327 shows the connection of a door phone to a normal 1+1 wire electrical door phone system. Equip the system with a relay Ref. 788/22, a power unit Ref. 1090/850 and a timed relay Ref.1032/81.


The concerned door phone will energise the door phone which will in turn release the electrical lock when the switch (not supplied by us) is positioned during the call step.



EQUIPMENT

The following devices are needed for the system illustrated in diagram SC101-1327:

DOOR PHONE REFERENCES

N. X	Door phones Mod. Utopia or		Ref. 1134/35
N. X	Door phone Mod. Atlantico		Ref. 1133/35A

POWER SUPPLY FOR DOOR PHONE SYSTEM REFERENCES

N. 1	Transformer	Ref. 9000/230
N. 1	Relay box	Ref. 788/22
N. 1	Timer	Ref. 1032/81

DIAGRAM NOTES

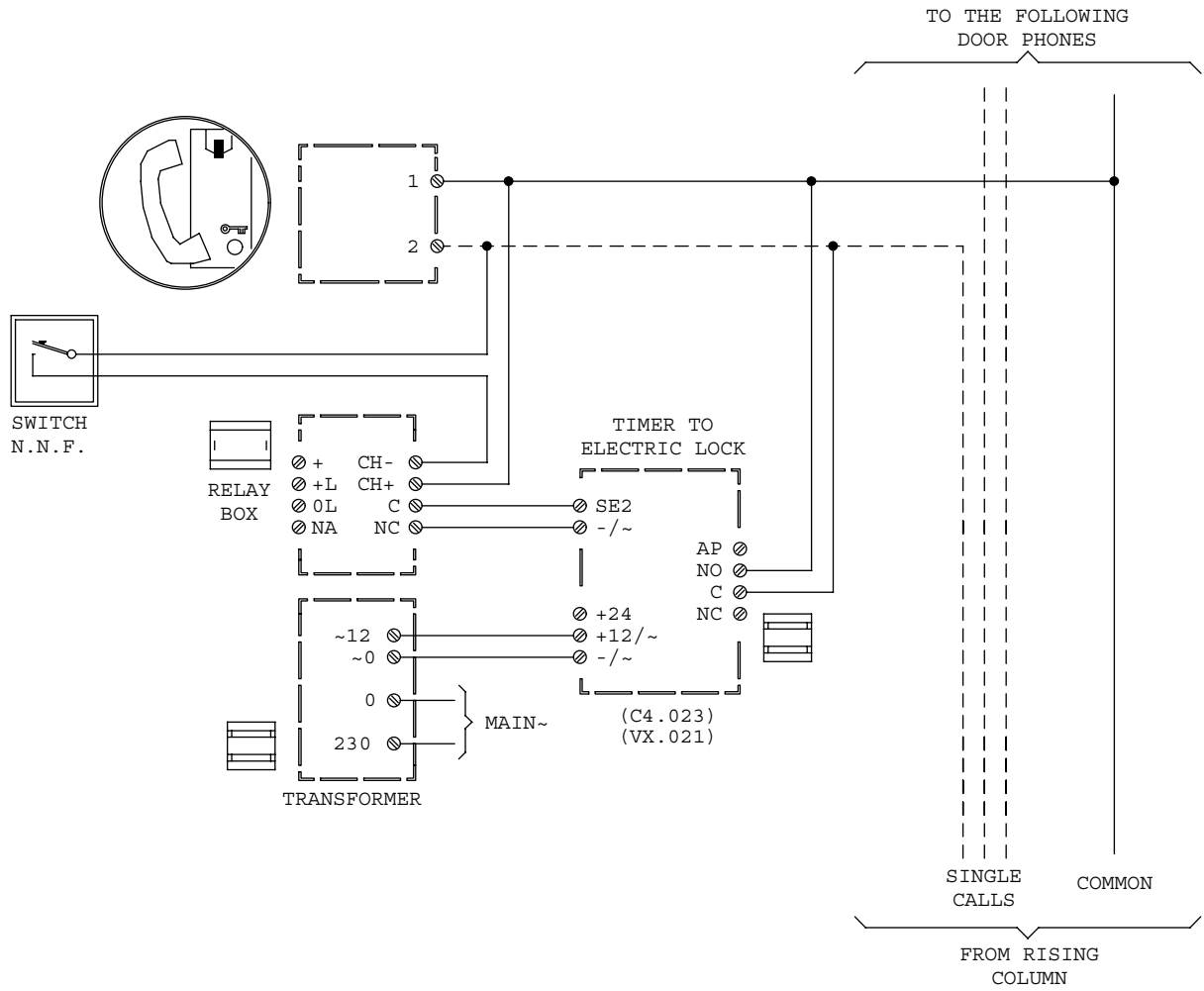
(see section 1)

C4.023

VX.021

Cut or remove the jumpers on the device(s):

a) AMCR



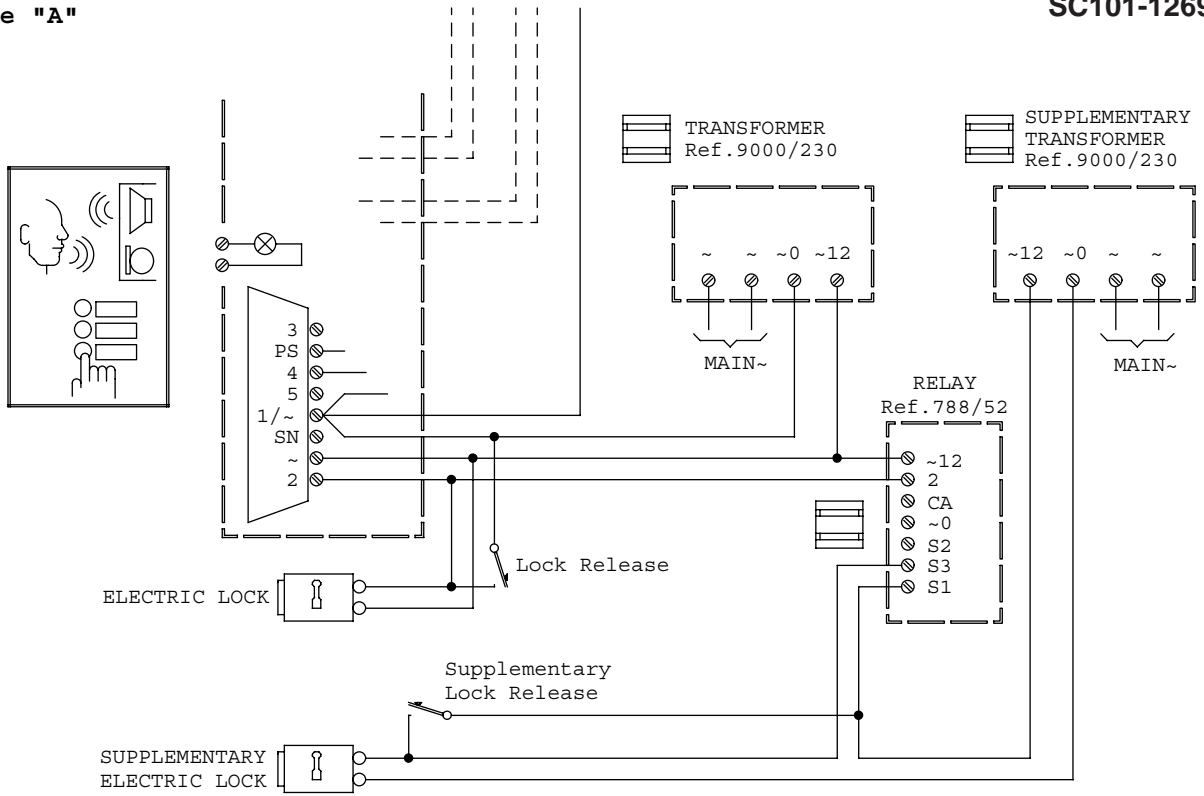


RELEASE OF TWO ELECTRICAL LOCKS AT THE SAME TIME
 a) 725 or Domus Aura door unit
 b) Sinthesi or K-Steel door unit

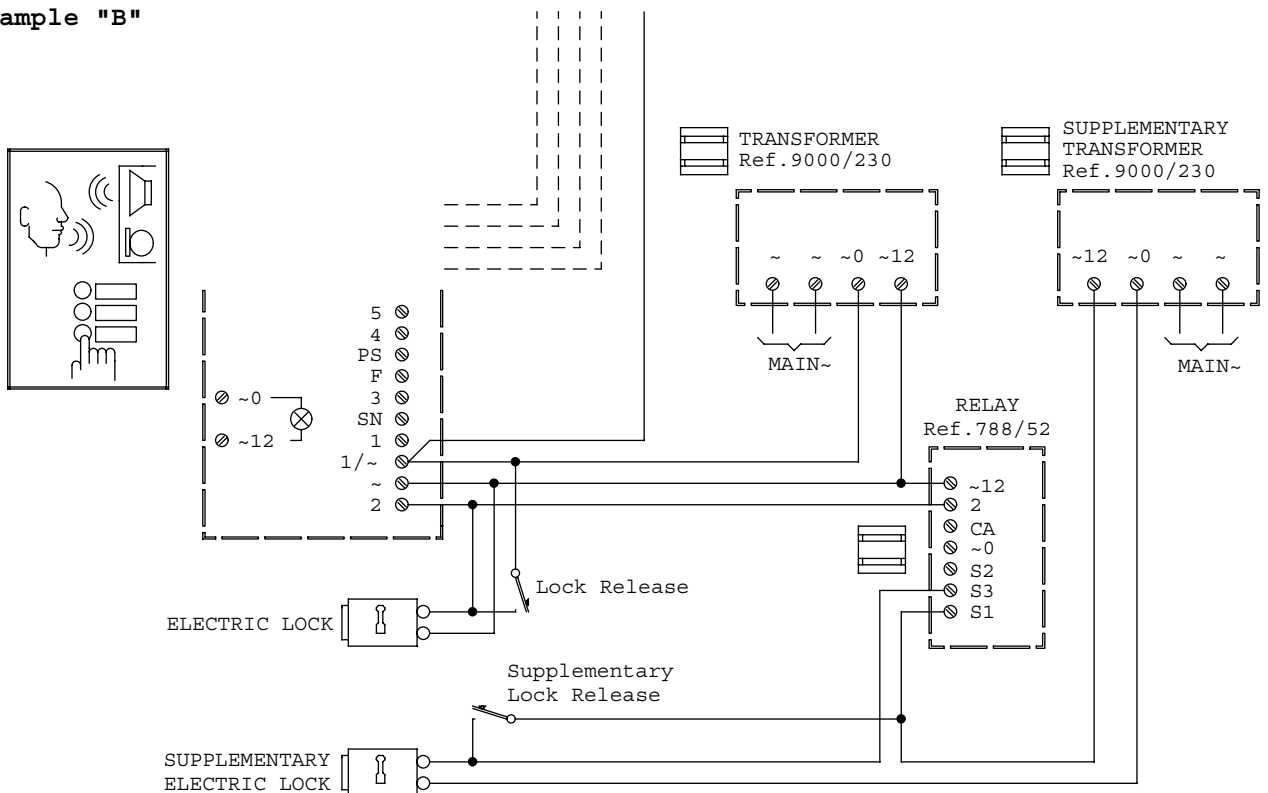


SC101-1269A

Example "A"



Example "B"





SECTION 1B CONTENTS

DOOR PHONE AND VIDEO DOOR PHONE SYSTEM - DIAGRAM

	Diagram	Sec.	Pag.
BASIC DIAGRAMS FOR 1+1 WIRE ELECTRONIC DOOR PHONE SYSTEMS			
CONNECTION OF SEVERAL DOOR PHONES TO 1 OUTDOOR STATION WITH SECRECY OF CONVERSATION (Panels Mod. Sinthesi or K-Steel)	SC101-1135F	1b	2
CONNECTION OF SEVERAL DOOR PHONES TO 1 OUTDOOR STATION WITH SECRECY OF CONVERSATION (Panels Mod. 725 or Mod. Domus Aura)	SC101-0932C	1b	4
CONNECTION OF SEVERAL DOOR PHONES TO 2 OUTDOOR STATIONS WITH SECRECY OF CONVERSATION (Panels Mod. Sinthesi or K-Steel)	SC101-1210B	1b	6
CONNECTION OF SEVERAL DOOR PHONES TO TWO OUTDOOR STATIONS WITH SECRECY OF CONVERSATION (Panels Mod. 725 or Mod. Domus Aura)	SC101-0937B	1b	8
CONNECTION OF SEVERAL DOOR PHONES TO FOUR OUTDOOR STATIONS WITH SECRECY OF CONVERSATION (Panels Mod. Sinthesi or K-Steel)	SC101-1218C	1b	10
CONNECTION OF SEVERAL COLUMN OF DOOR PHONES TO COMMON OUTDOOR STATIONS Each group in also connected to its own secondary outdoor station (Panels Mod. Sinthesi or K-Steel)	SC101-1241B	1b	12
CONNECTION OF 1 DOOR PHONES TO 1 OUTDOOR STATION Door phone can open door during call from panel	SC101-1327	1b	14
RELEASE OF TWO ELECTRICAL LOCKS AT THE SAME TIME a) 725 or Domus Aura door unit b) Sinthesi or K-Steel door unit.....	SC101-1269A	1b	16

1 + 1 DOOR PHONE SYSTEM DIAGRAM CROSS-REFERENCE TABLE

LIST OF AVAILABLE FUNCTIONS					
Panel model					
			Number of main panels to be installed		
			Number of secondary panels to be installed		
			Connection of a supplementary electrical lock		
			Possibility of opening door while calling from the panel		
			DIAGRAM DESCRIPTION	DIAGRAM	PAG
Sinthesi or K-Steel	1	0	CONNECTION OF SEVERAL DOOR PHONES TO 1 OUTDOOR STATION WITH SECRECY OF CONVERSATION	SC101-1135F	2
	1	K	CONNECTION OF SEVERAL COLUMN OF DOOR PHONES TO COMMON OUTDOOR STATIONS Each group in also connected to its own secondary outdoor station	SC101-1241B	12
	2	0	CONNECTION OF SEVERAL DOOR PHONES TO 2 OUTDOOR STATIONS WITH SECRECY OF CONVERSATION	SC101-1210B	6
	4	0	CONNECTION OF SEVERAL DOOR PHONES TO FOUR OUTDOOR STATIONS WITH SECRECY OF CONVERSATION	SC101-1218C	10
725 or Domus Aura	1	0	CONNECTION OF SEVERAL DOOR PHONES TO 1 OUTDOOR STATION WITH SECRECY OF CONVERSATION	SC101-0932C	4
	2	0	CONNECTION OF SEVERAL DOOR PHONES TO TWO OUTDOOR STATIONS WITH SECRECY OF CONVERSATION	SC101-0937B	8
Generic	--	--	√ RELEASE OF TWO ELECTRICAL LOCKS AT THE SAME TIME a) 725 or Domus Aura door unit b) Sinthesi or K-Steel door unit	SC101-1269A	16
	--	--	√ CONNECTION OF 1 DOOR PHONES TO 1 OUTDOOR STATION Door phone can open door during call from panel	SC101-1327	14

K = number of columns with panel