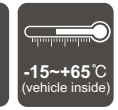


FUHO Vehicle Video Recorder

CDR-E07



Backward facing panel

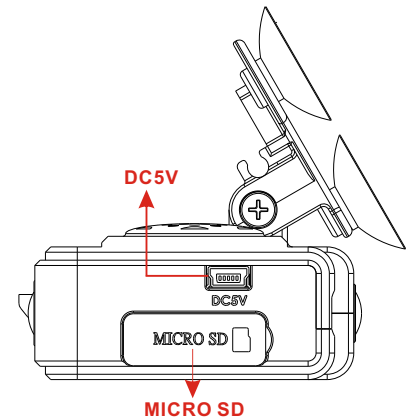
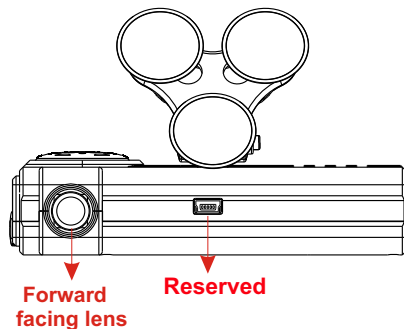
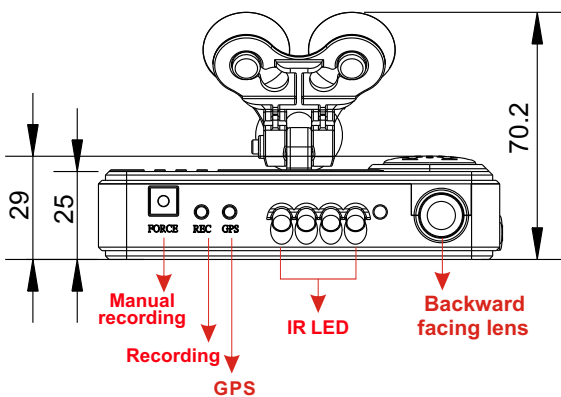


Forward facing panel



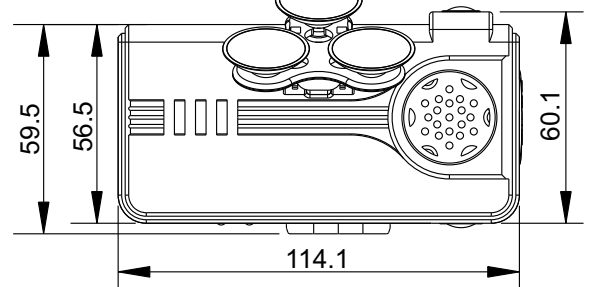
Structure of Product

Unit: mm



Features

1. Suitable for taxi, trucks or buses.
2. Auto record when power up system, synchronize ability outside and inside the car.
3. Synchronize of Image, sound, G-sensor and GPS data.
4. G-sensor sensitivity system on depend of the traffic (shock).
Record system in anytime in vehicle, without been cover in any situation.
5. Forward facing lens apx. 120 degrees. Backward facing lens apx. 170 degrees.
6. Capable to track car route while driving and playback mode that overlay Google Earth Satellite images.
7. Image record in micro SDHC Card. Class 6 up.
8. G-sensor sensitivity can be set manually according to the road conditions. Force recording in events of sudden increase or decrease in speed. Files are protected that cannot be overwritten.



Standard/Optional

Standard: 1. CDR-E07 2. Driver CD 3. Card Reader 4. USB Cable 5. 5V USB Converter Power Cable 6. Manual

Optional: 1. Micro SD 4GB/ 8GB/ 16GB Card (optional) 2. 5V 2 x USB Converter Power Cable

FUHO Vehicle Video Recorder

PLAYER Operational instruction



Specification

Sensor Device	Forward facing lens VGA CMOS Sensor Backward facing lens VGA CMOS Sensor
Viewing angle	Outside vehicle apx. 120 degrees Inside vehicle apx. 170 degrees
Voltage	5V±5% : Start 600mA · Operate 500mA(IR ON) / 350mA(IR OFF) remark : 5V±5% · 1A cigarette lighter adapter , start adapter up to 4.8v
Operating Temp	-15°C~ +65°C (Inside vehicle)
Storage device	Recommending micro SDHC card (4G/8G/16G) Class 6 or higher by Silicon Power or Transcend.
Recording Frame	Forward facing lens 640x480 highest NTSC : 30fps · PAL : 25fps Backward facing lens 640x480 highest 15fps Auto record when power up system
Recording content	Date · time · image · sound · G-Sensor date · GPS data
Recording format	Specific format for player software.
Microphone	Single channel audio.
Time Setting	GPS auto calibration · using build-in clock while GPS signal loss
G-Sensor	Internal 3D G-Sensor
Input device	(a) Emergency button , low brightness for night use only. (b) red light : record light (force recording light flashing on high frequency) (c) green light : flashing, GPS not positioning , light on, 3D positioning Remark : Dim LED when IR on in night view.
Descriptions	(a) two USB port input , do not input at the same time , avoiding adapter burn out (b) SD card must format by specific player before recording or recognize SD card capacity
Important notice	(a) GPS positioning could be effect by tinted window film · weather...and on (b) Front tinted window film with metal components could effect GPS positioning function (c) IR timing on & off depends on intensity of lights, position of installation , front tinted window film...and on. (d) Day & night mode may have 30 seconds of delay time. It is normal to start in night view when power up the unit. (e) It is normal showing 80mb after formatting the SD card.